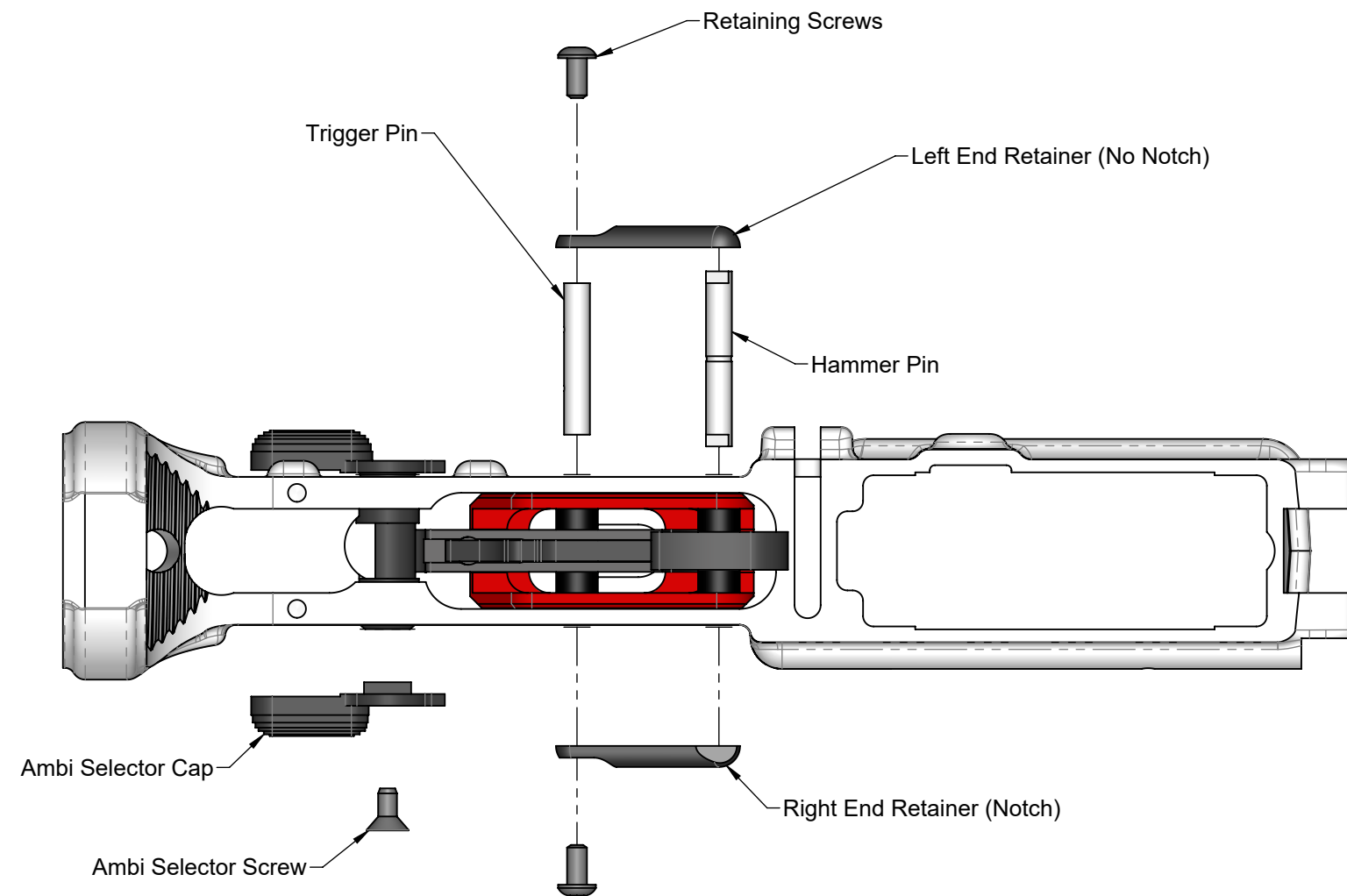




**PATRIOT ORDNANCE FACTORY**  
**POF-USA Drop In Trigger Removal**

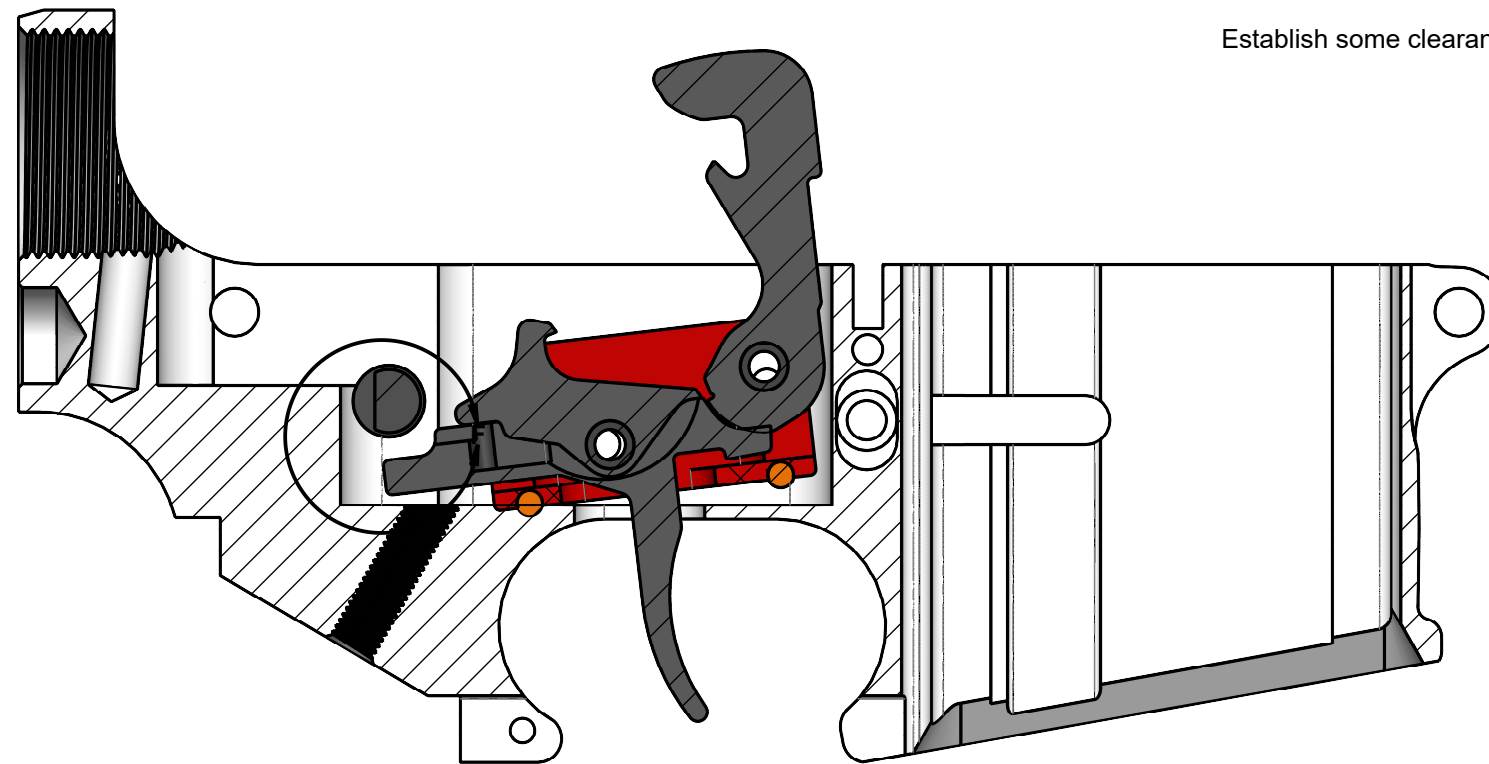
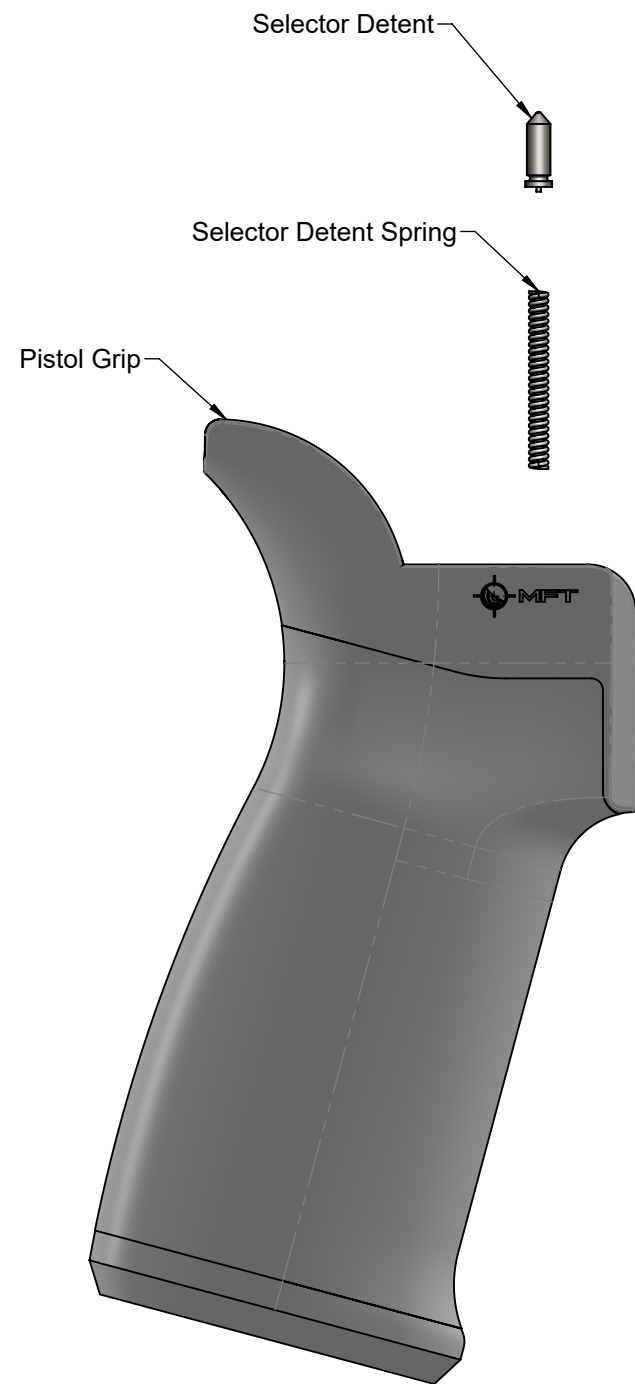


**1a. Remove KNS Non-Rotating Pins by unscrewing retaining screws and removing end retainers. Then push out the hammer pin and trigger pin.**

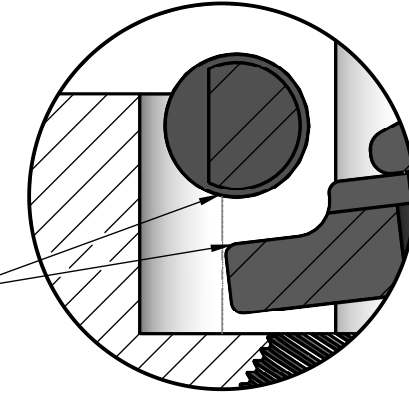
**1b. If the Selector is an Ambi Selector, remove the Cap and Screw at this time as well.**



**PATRIOT ORDNANCE FACTORY**  
**POF-USA Drop In Trigger Removal**



Establish some clearance



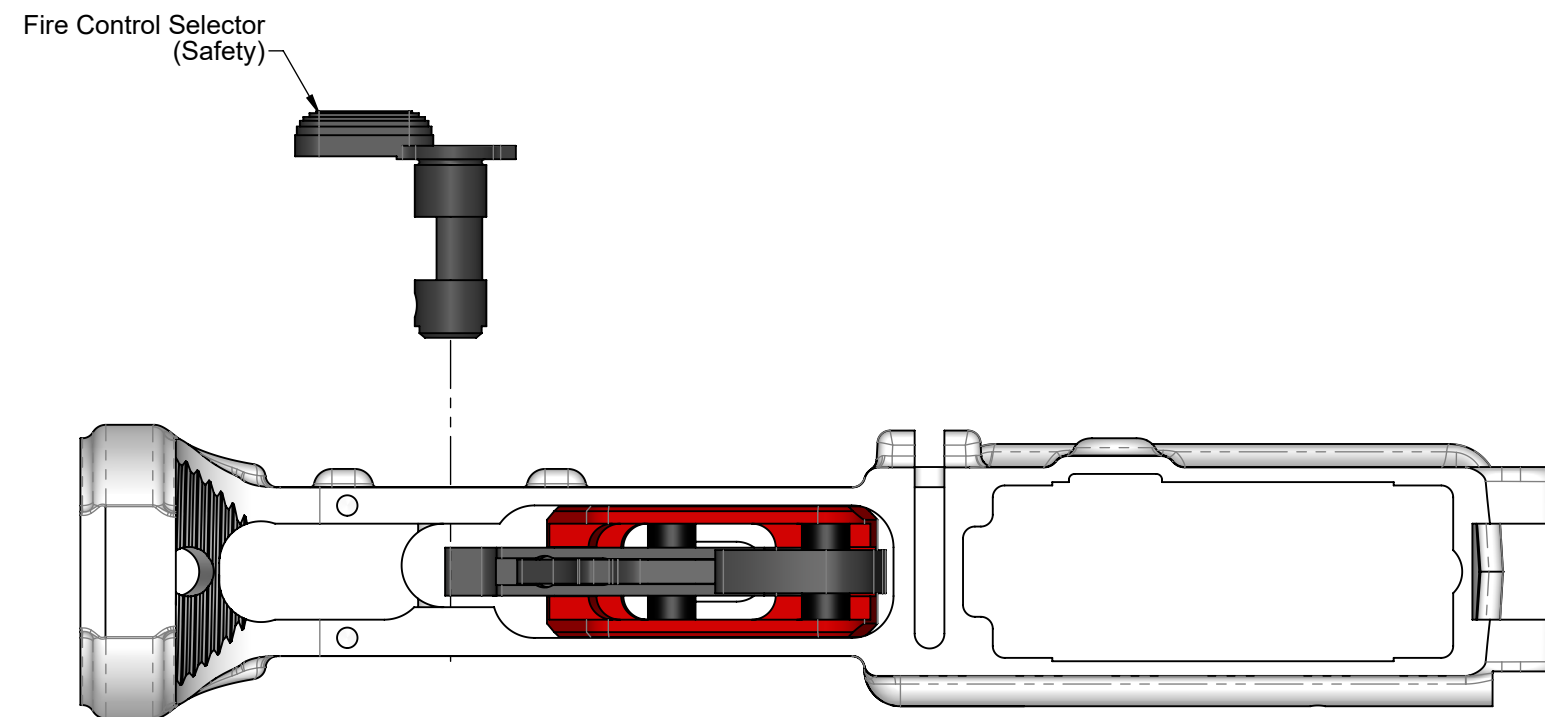
**DETAIL F**  
**SCALE 2X**

**2a. Remove the Pistol Grip. With it should come the Selector Spring, and Selector Detent. This will allow the Selector to be moved at a later step.**

**2b. Tilt the POF-USA Drop In Trigger Assembly backwards, or lift the front, so the back of the Trigger clears/drops below the Selector shaft diameter.**



**PATRIOT ORDNANCE FACTORY**  
**POF-USA Drop In Trigger Removal**

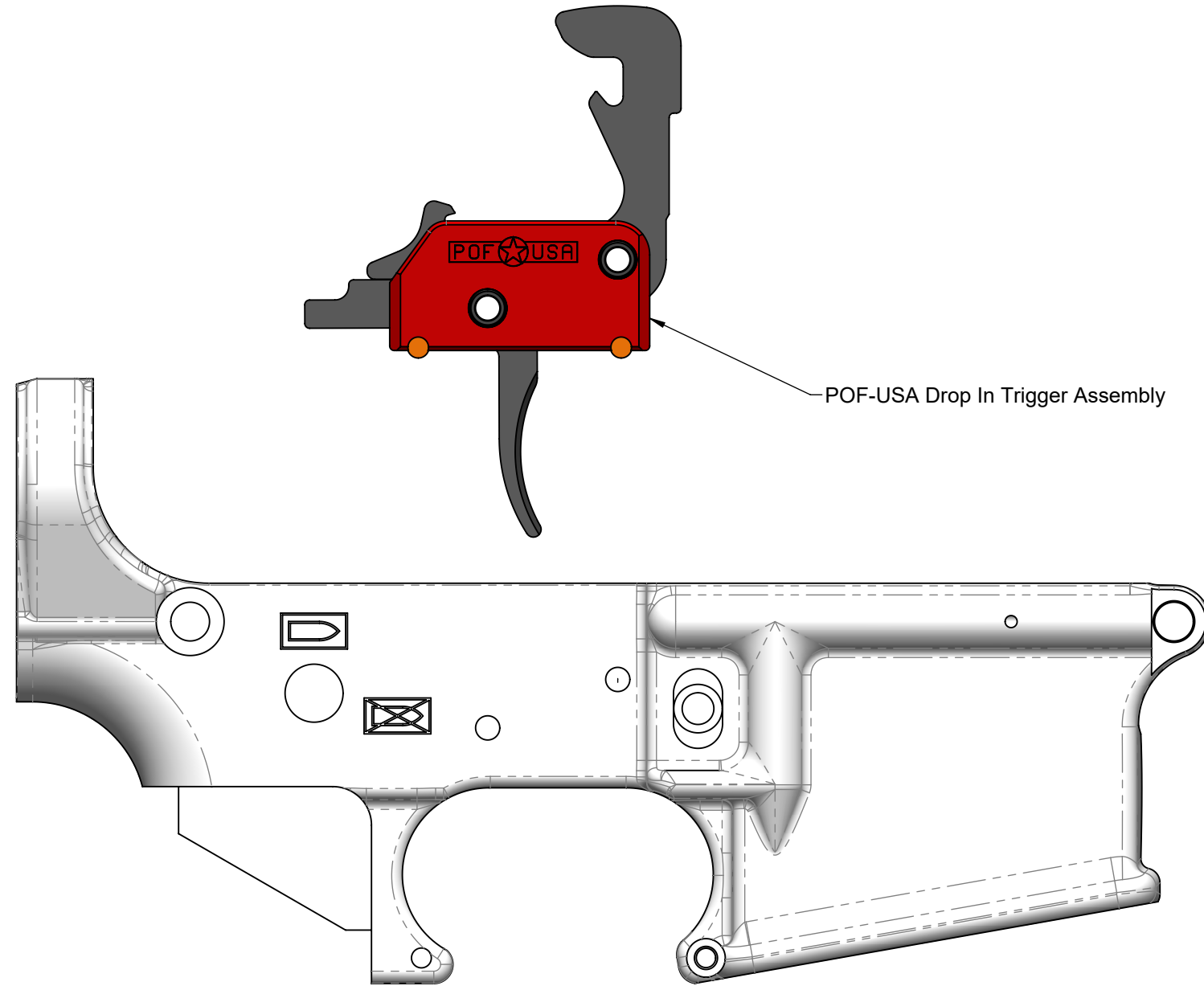


**3. With the Trigger Assembly tilted back as instructed in step 2, remove the Fire Control Selector (Safety) from lower receiver.**



**PATRIOT ORDNANCE FACTORY**

**POF-USA Drop In Trigger Removal**



**4. Remove the POF-USA Drop In Trigger Assembly. Install in reverse order from disassembly.**